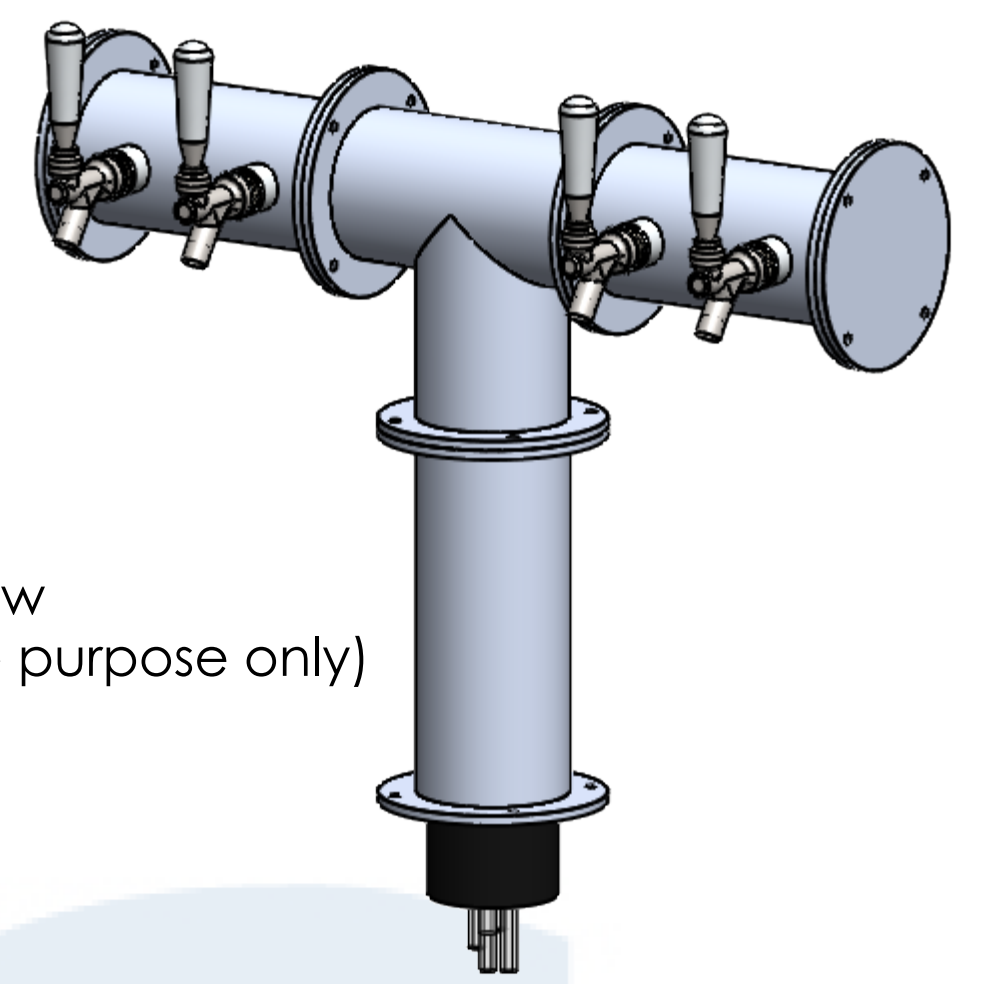
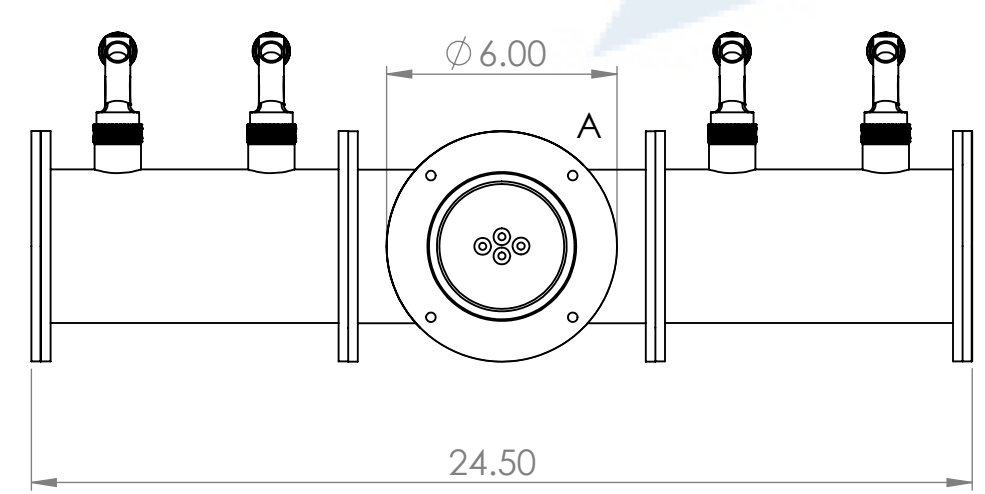
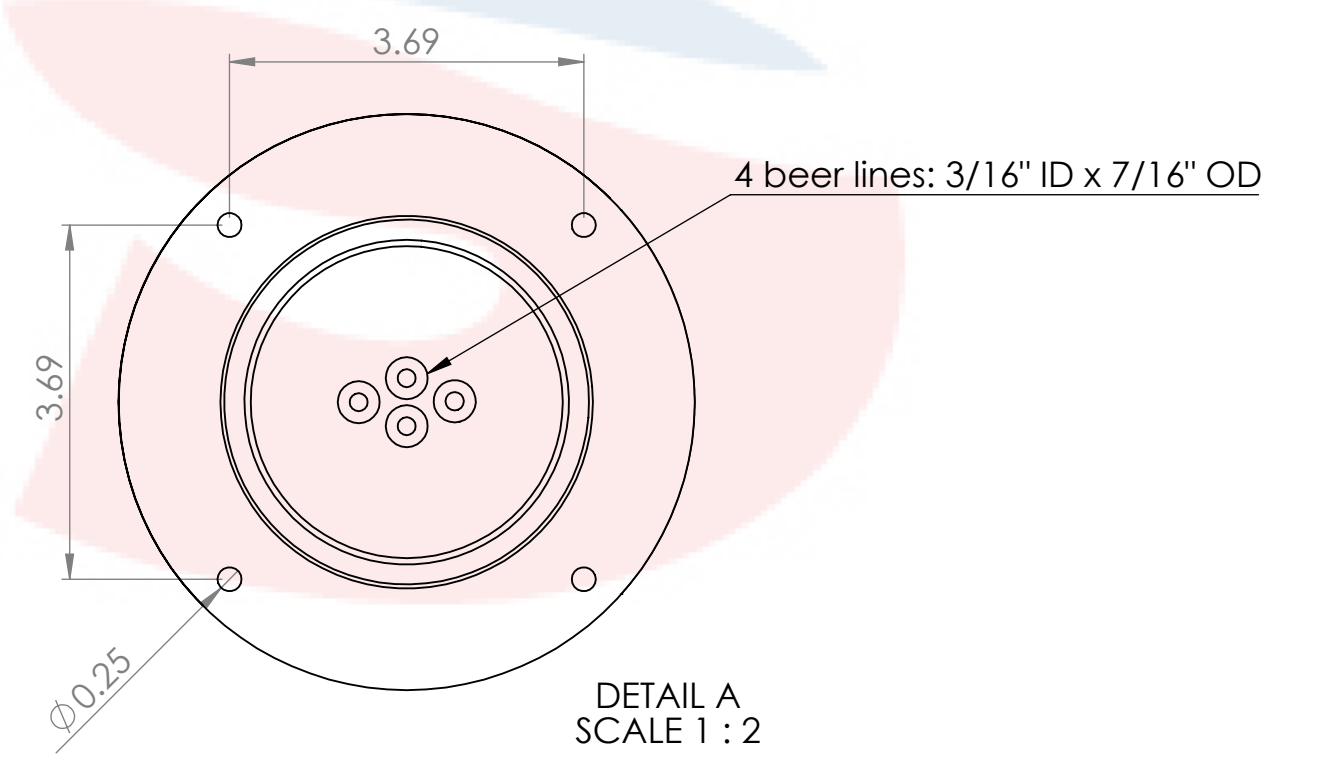


304SS tube connected to CBS NSF Flexible Total Barrier Tubing to 15lbs of Restriction



Isometric View
(For reference purpose only)



Suggested Drip Tray:
 BB701324 - 24" x 7" BSS Drip Tray
 BB702424 - 24" x 7" BSS Spray Drip Tray



Name		Date	Title:	
Drawn by:	Canadian Beverage Supply Inc.	11/17/2022	4" 4 Tap Condor Tower	
Approved by:	VP Sales		Part Number:	Revision:
Material:	304 SS	Finish:	Brushed SS	BB102610-04SS
Unless otherwise mentioned, dimensions are inches			SCALE:	SHEET 1 OF 1
			1:5	